

Dust-proof Lighting Fixture

LVDInductionLamps.com

LVD[®]



0421 Gas Station Light

LVD Saturn Lamp

LVD

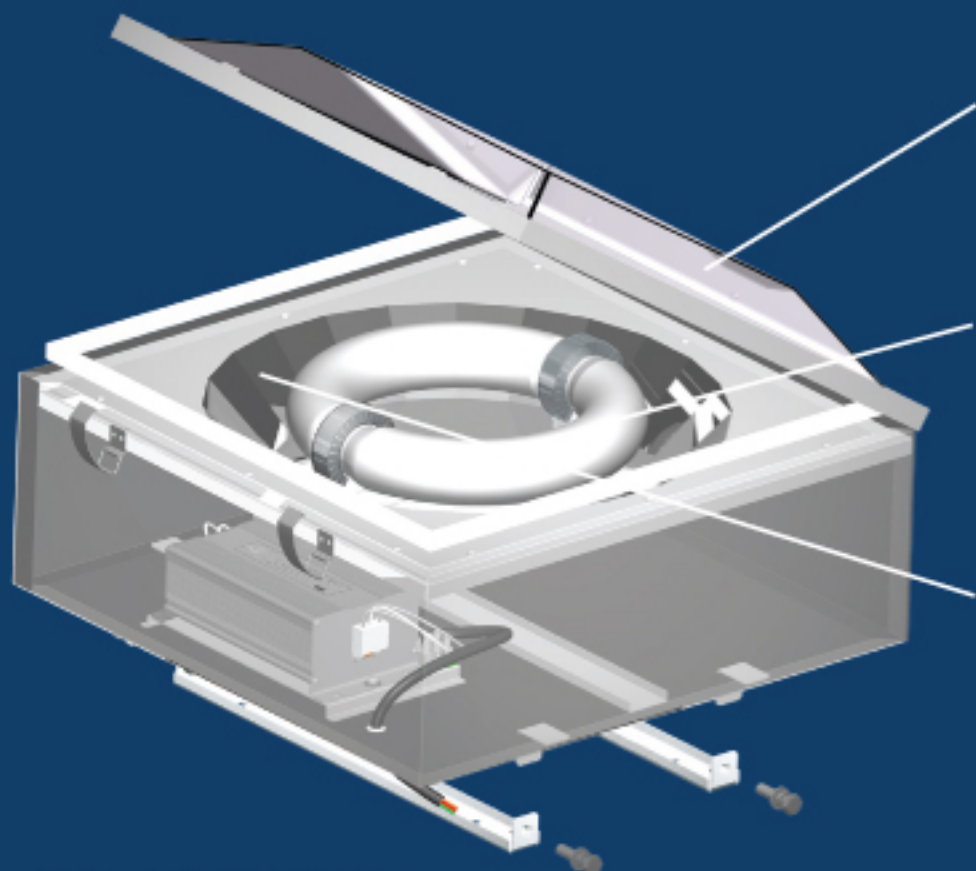
Features

The cover of the fixture is transparent glass with properties of dustproof, visibility and minor penetration loss. It is helpful to improve the luminous lux.

The light source adopts LVD Lamp with excellent colour rendering. The fixture has good dustproof performance. The light source is efficiently energy-saving and maintenance free even under long period of using.

The reflector is designed by the foreign expert, it is of high reflection rate and big shining proportion with uniformity.

Suitable for gas stations, bus stops and metroline etc.

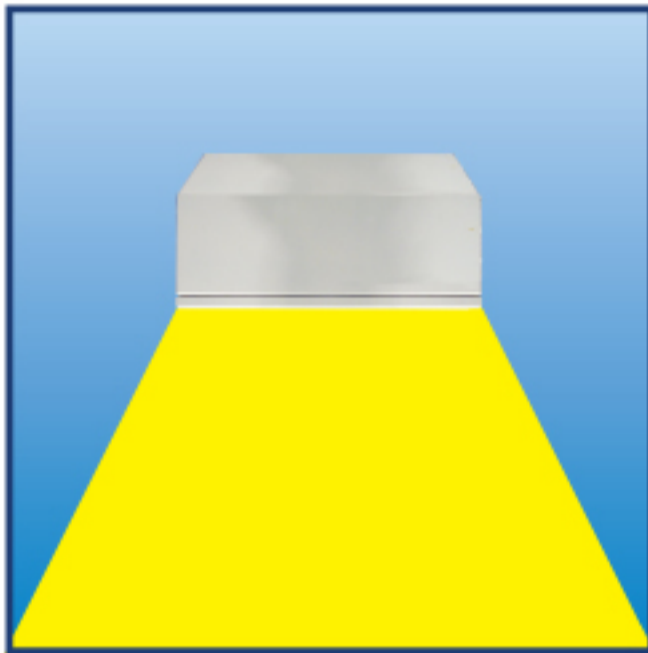


0421 Exploded View

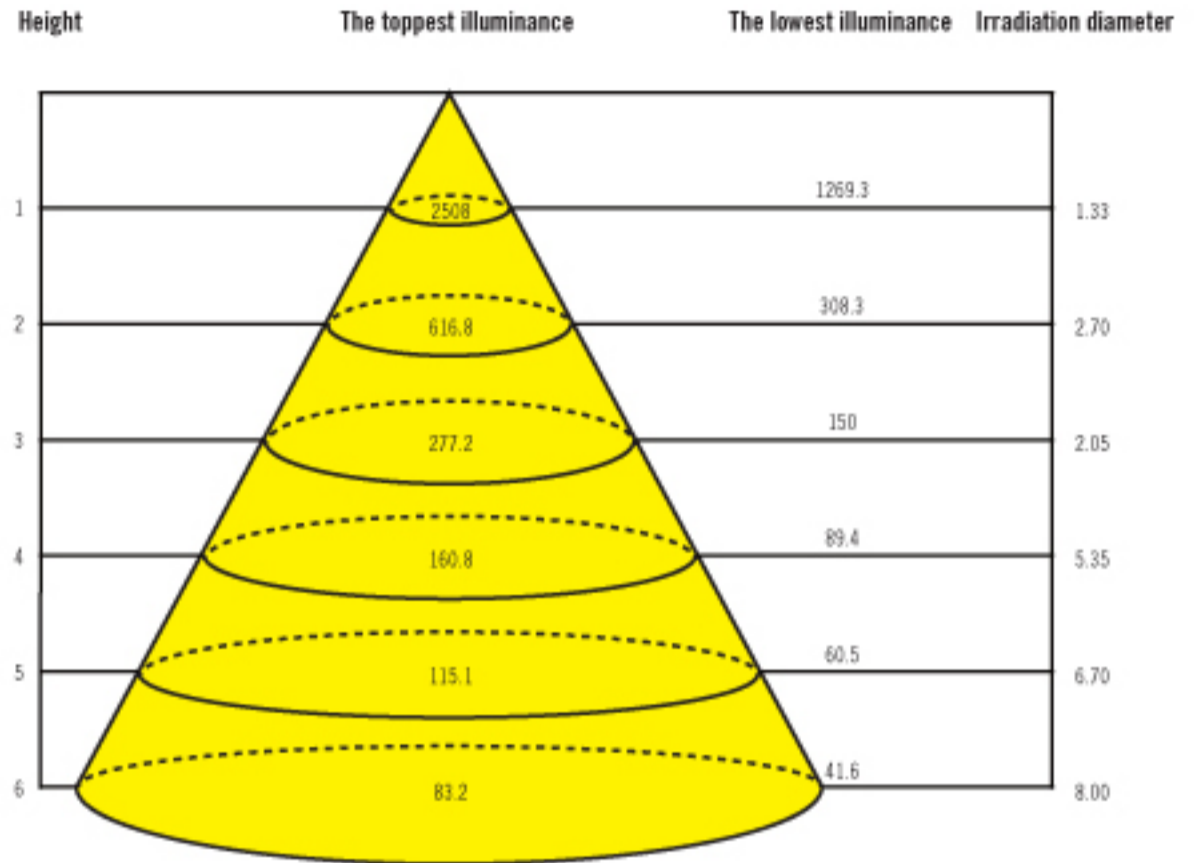
0421 Series

LVD Induction Lamps LVD

Photometrics Graph

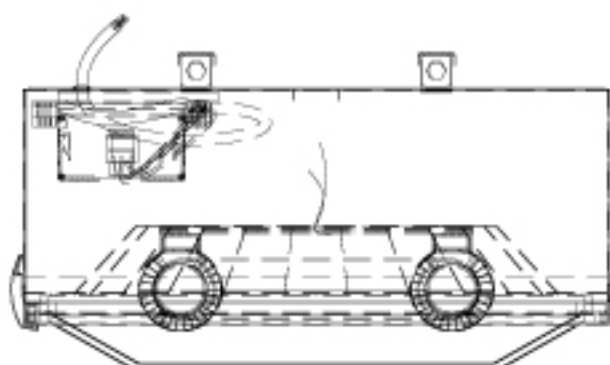
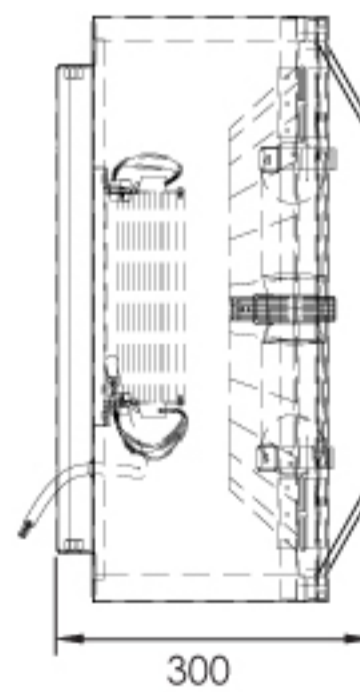
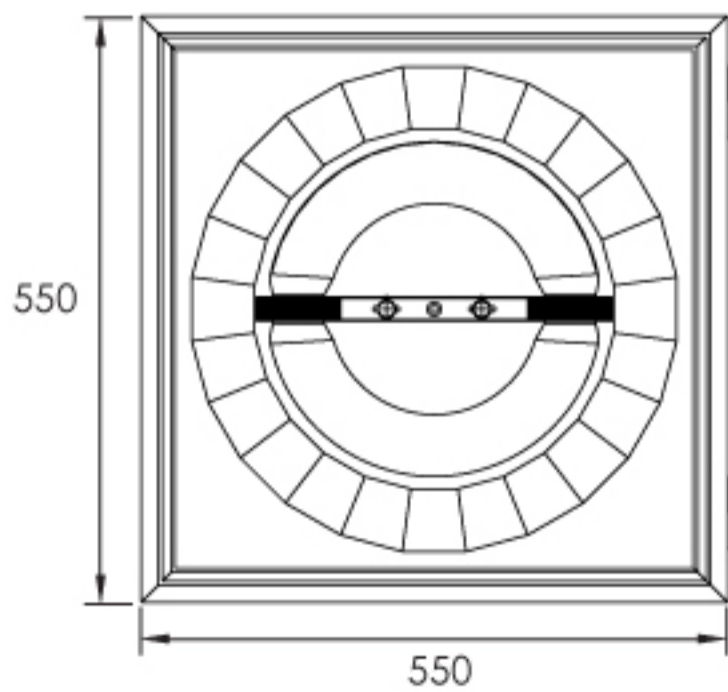


Beam Spread



200W Saturn Lamp

Dimensions



Material

Shell: bent cold steel plate with powder coating

Reflector: pure aluminium molding with vacuum plated surface

Resistance, impact resistance, high temperature resistance and visible height

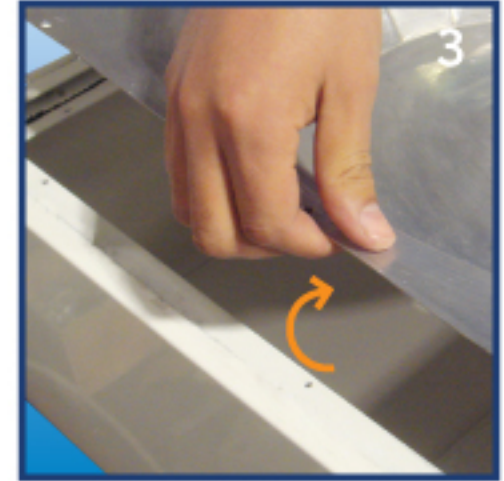
Lamp and Fixture Installation



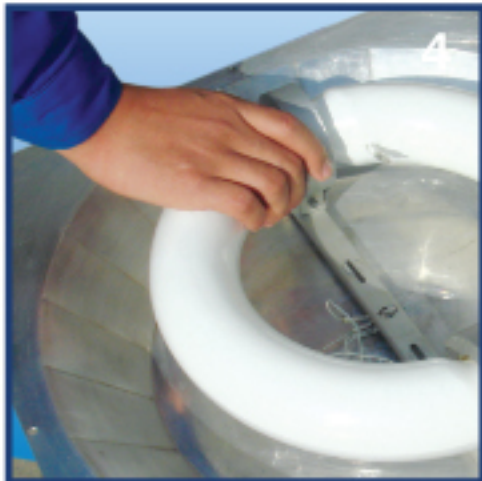
1
Open the buckle and turn over the lamp cover.



2
Unload the lamp cover to cause no damage.



3
Unscrew the bolt of the reflector and take the reflector out.



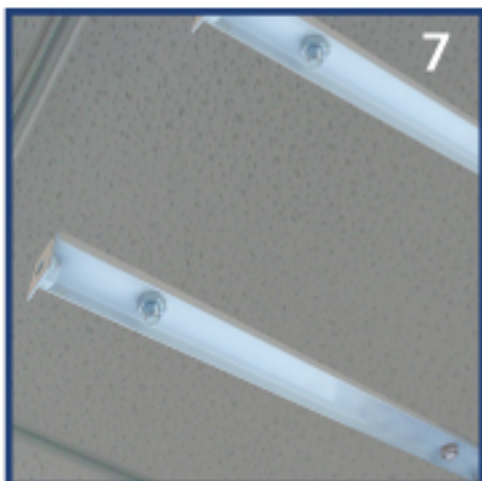
4
Install the LVD light.



5
Connect the wires based on the requirements.



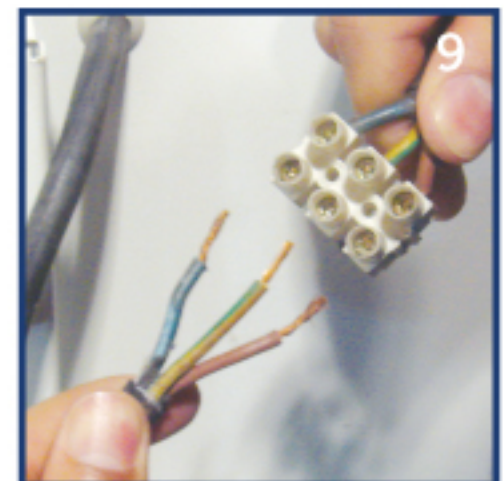
6
Go back to its original state according to the steps above.



7
Fasten the support board and the ceiling panel.

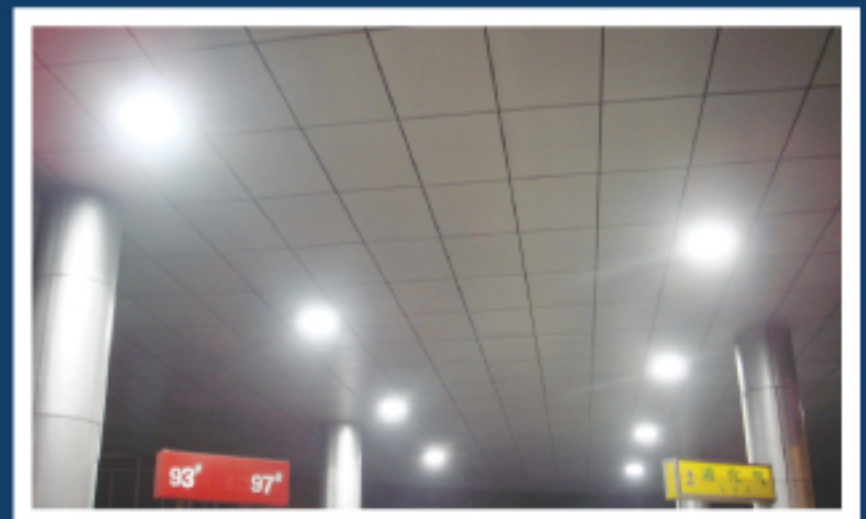


8
Fasten the lamp and the Support Board.



9
Connect the power line.

LVD[®]



Ordering Information

Choose the options below the criteria that best suit your needs and write them above the corresponding criteria.

0421 Series Code	LVD-YZ01 Model	Wattage	Voltage
		120W	120V AC
		150W	220V AC
		200W	277V AC
0421-LVD-YZ01 Order Number			

Norman Lamps, Inc.
1775 Wallace Avenue
St. Charles, IL 60174

LVDInductionLamps.com
info@LVDInductionlamps.com

800-992-8020
Toll Free Phone
630-377-3559
Illinois Area