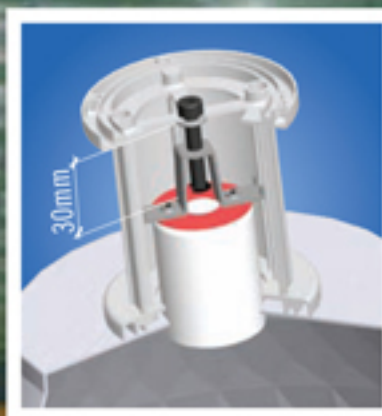




0361-1 Diamond Reflector

Adjustable Lamp Base



LVD Saturn Lamp



## Features

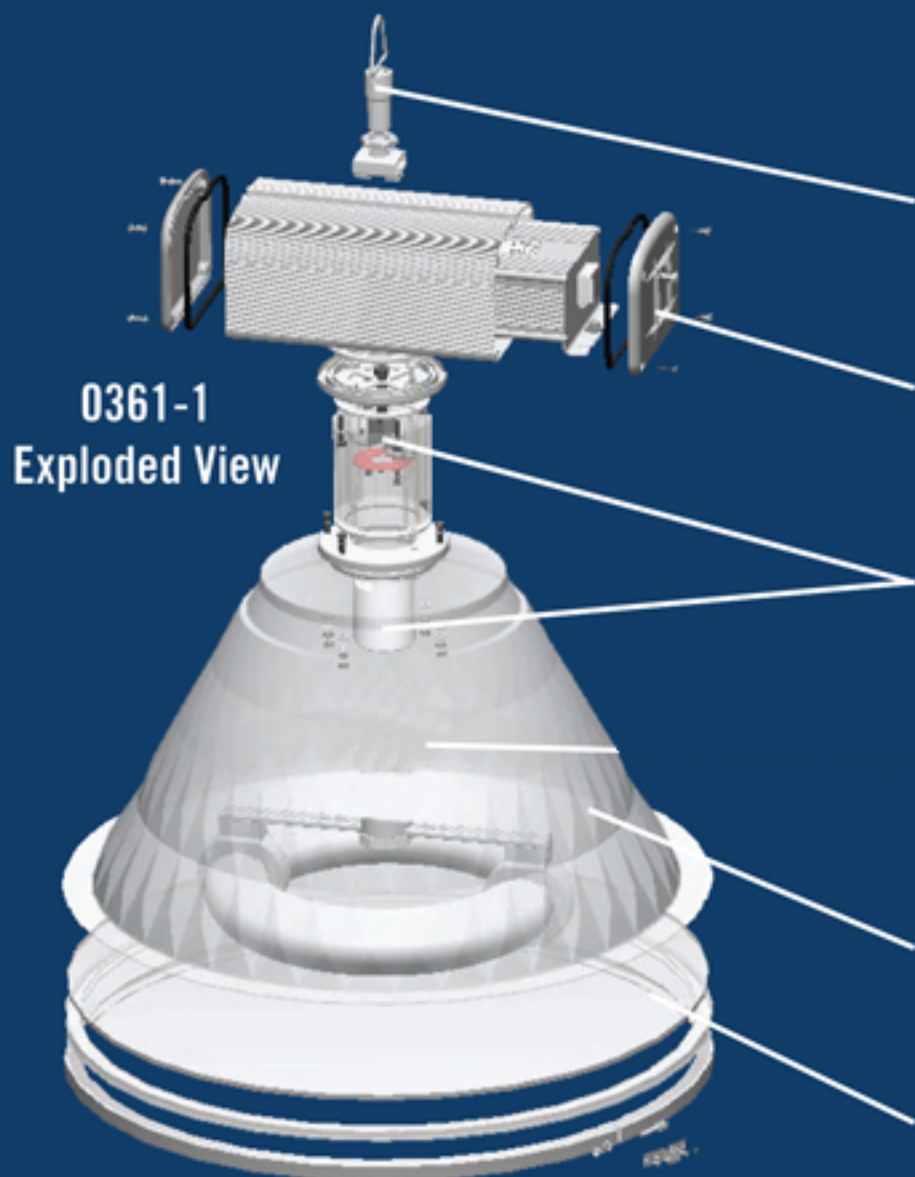
Fixture can be mounted with loop hook or Meyers Hub

Attractive aluminum alloy gear box with powder coating

Adjustable lamp base, up to 30mm, for customized beam spreads suitable for different applications

Pure aluminum reflector with vacuum plated metal and diamond-shaped reflector design improves reflective efficiency

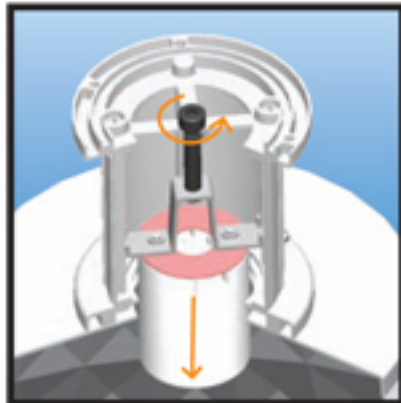
Optional tempered glass or polycarbonate lens



0361-1  
Exploded View

## Photometrics Options

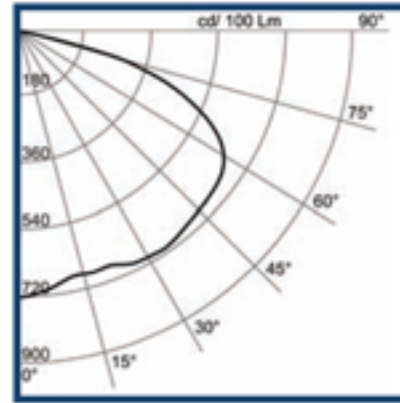
Adjustable Screw Base Socket



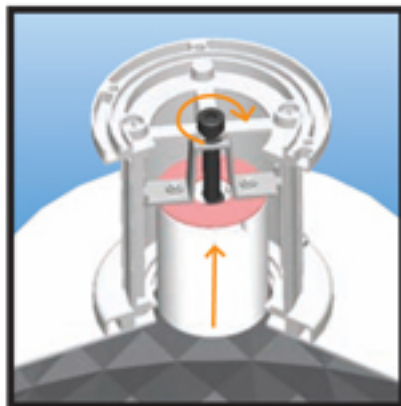
Low Base Position



Wide Beam Spread



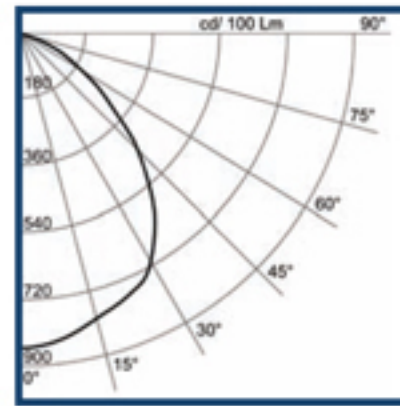
Wide Light Distribution



High Base Position

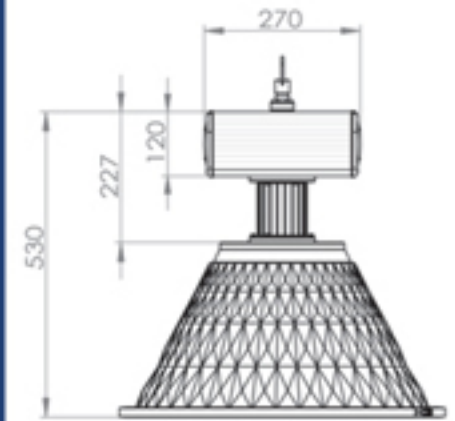


Narrow Beam Spread

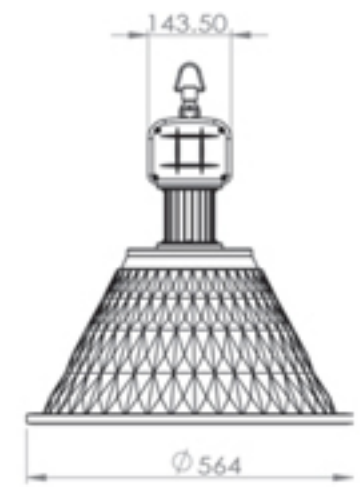


Narrow Light Distribution

## Dimensions

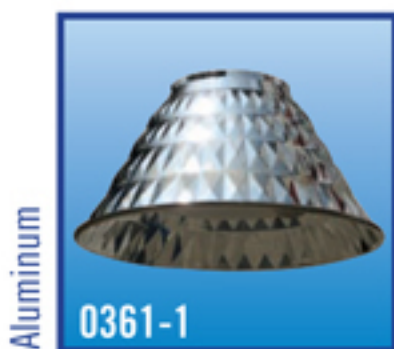


0361-1 Front View



0361-1 Side View

## Reflector Options



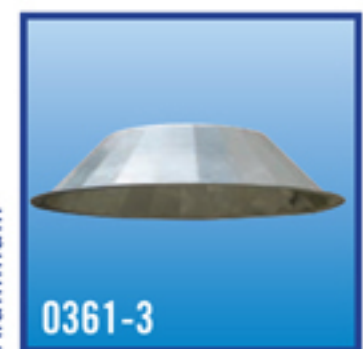
Aluminum  
0361-1

14"  $\Phi$ 356x210mm, 40~120W  
16"  $\Phi$ 406x230mm, 80~150W  
19"  $\Phi$ 483x260mm, 120~200W  
20"  $\Phi$ 508x280mm, 120~300W  
Lens Optional



Polycarbonate  
(PC)  
0361-2

12"  $\Phi$ 290x210mm, 40~80W  
16"  $\Phi$ 410x280mm, 120~150W  
19"  $\Phi$ 490x335mm, 120~200W  
22"  $\Phi$ 570x350mm, 200~300W  
Lens Optional



Aluminum  
0361-3

24"  $\Phi$ 621x144mm  
200~300W  
Only available in fixed lamp position



Aluminum  
0361-4

19"  $\Phi$ 440x240mm  
120~200W  
No Lens



Aluminum  
0361-5

19"  $\Phi$ 480x300mm  
120~200W  
No Lens



Aluminum  
0361-6

19"  $\Phi$ 440x240mm, 120~150W  
Tempered Glass or Glass Lens Optional

## Lamp Installation



Attach wires



Secure Lamp to Fixture

## Mounting Instructions

### Meyers Hub



Thread wire through conduit



Attach conduit to Meyers Hub



Screw securely together

### Hook Mount

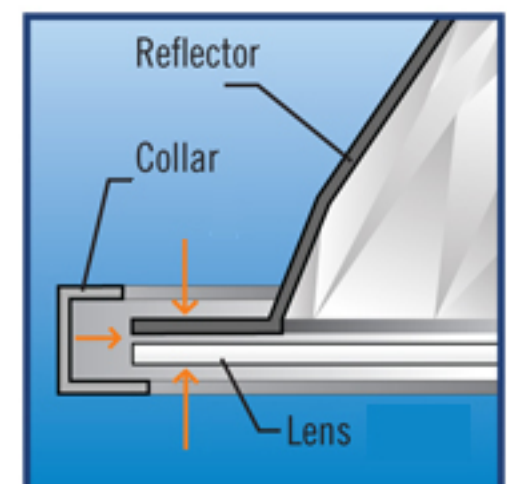


Place hook through loop



Pull slack and secure hook

## Lens Install



Wrap collar over rim and lens then tighten

# LVD<sup>®</sup>



## Ordering Information

Choose the options below the criteria that best suit your needs and write them above the corresponding criteria.

0361 Series Code	LVD-CF01 Model	Reflector	Size	Wattage	Voltage	Mounting	Lens
0361-?-LVD-CF01 Order Number		1	12"	40W	120V AC	Hook	Polycarbonate
		2	14"	80W	220V AC	Meyers Hub	Tempered Glass
		3	16"	120W	277V AC		
		4	19"	150W	12V DC	Glass	
		5	20"	200W	24V DC		
		6	22"	300W			

Norman Lamps, Inc.  
1775 Wallace Avenue  
St. Charles, IL 60174

LVDInductionLamps.com

800-992-8020