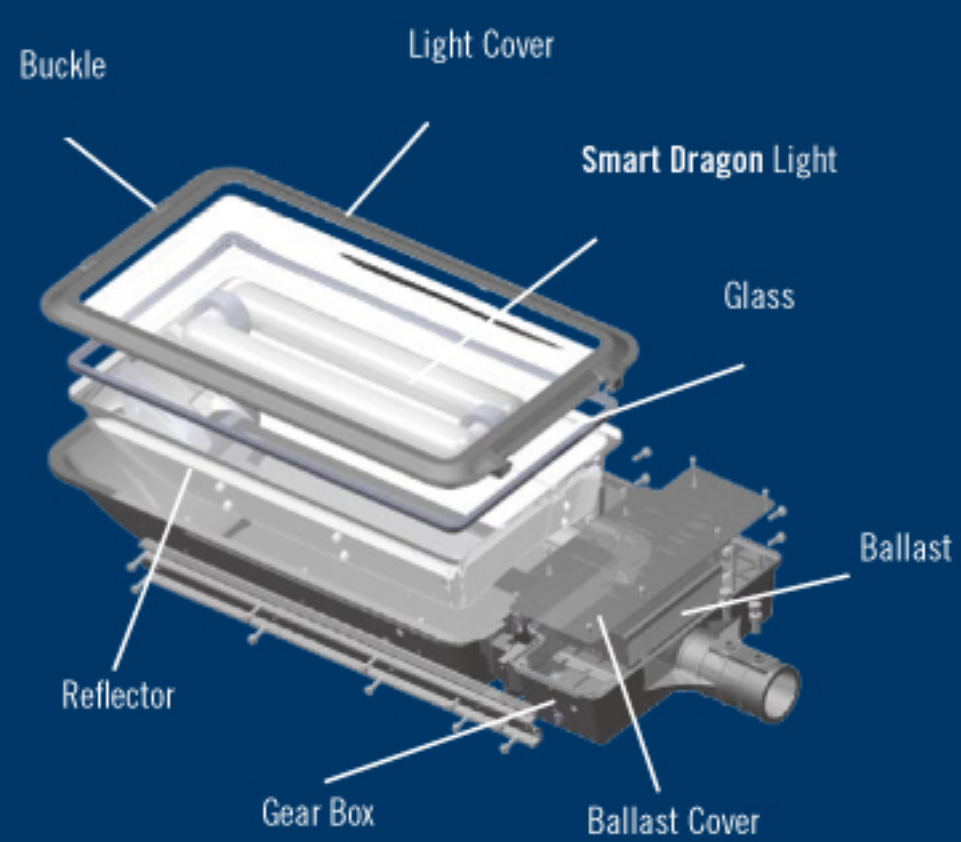




0612B Times Road Luminaire

LVD Smart Dragon Lamp



## Features

The luminaire shade adopts Pyrex glass with high light transmission.

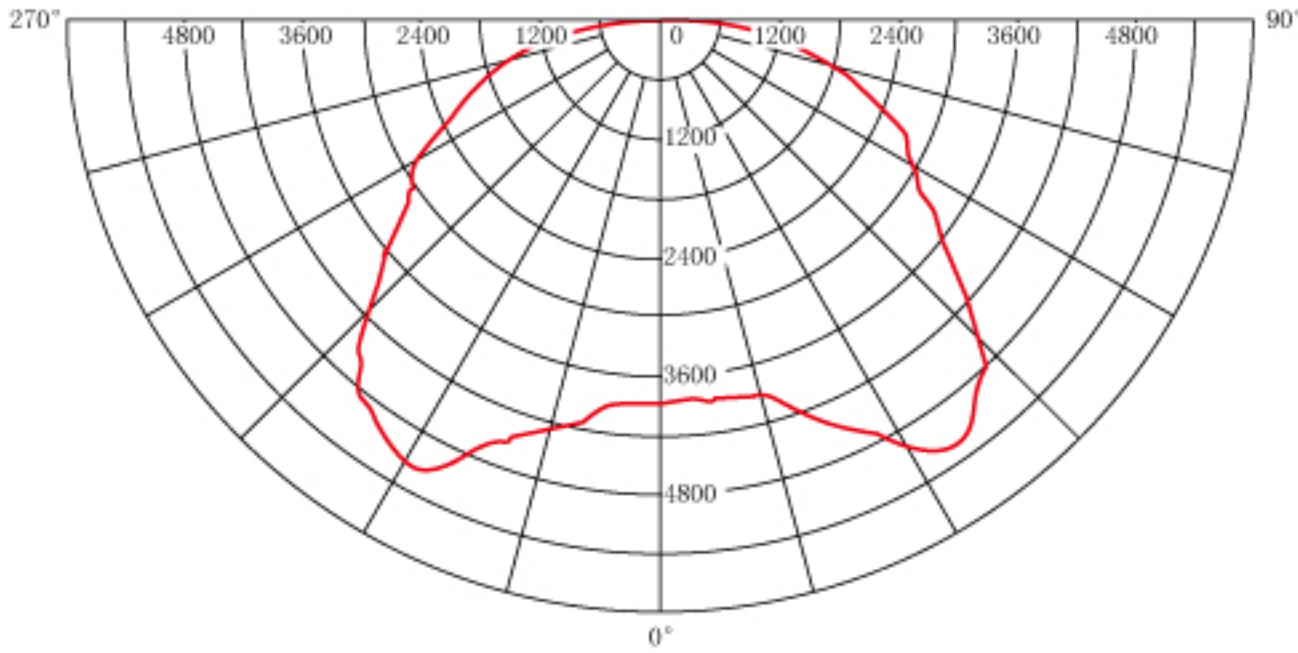
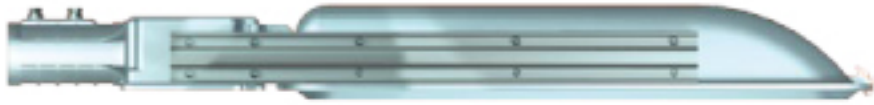
Designed by the foreign expert, the reflector is extruded from pure aluminium board, the surface of vacuum plated metal results in more high luminaire efficiency in terms of its rational distributive curve.

The luminaire shell, cover and the gear box are aluminium die-casting with powder coating, which is anti-corrosion and of great performance.

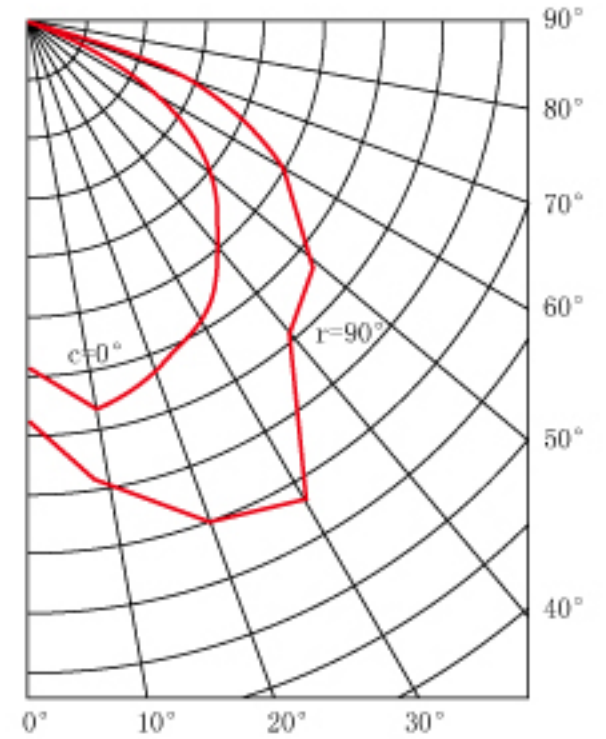
The structure is connected by the reflector and the lamp glass cover, which improves the dustproof performance. It can keep the dust and the insect out of the lamp shade in terms of its reasonable structure and reliable seal, the IP reaches 65 or above.

0612B Exploded View

## Photometrics

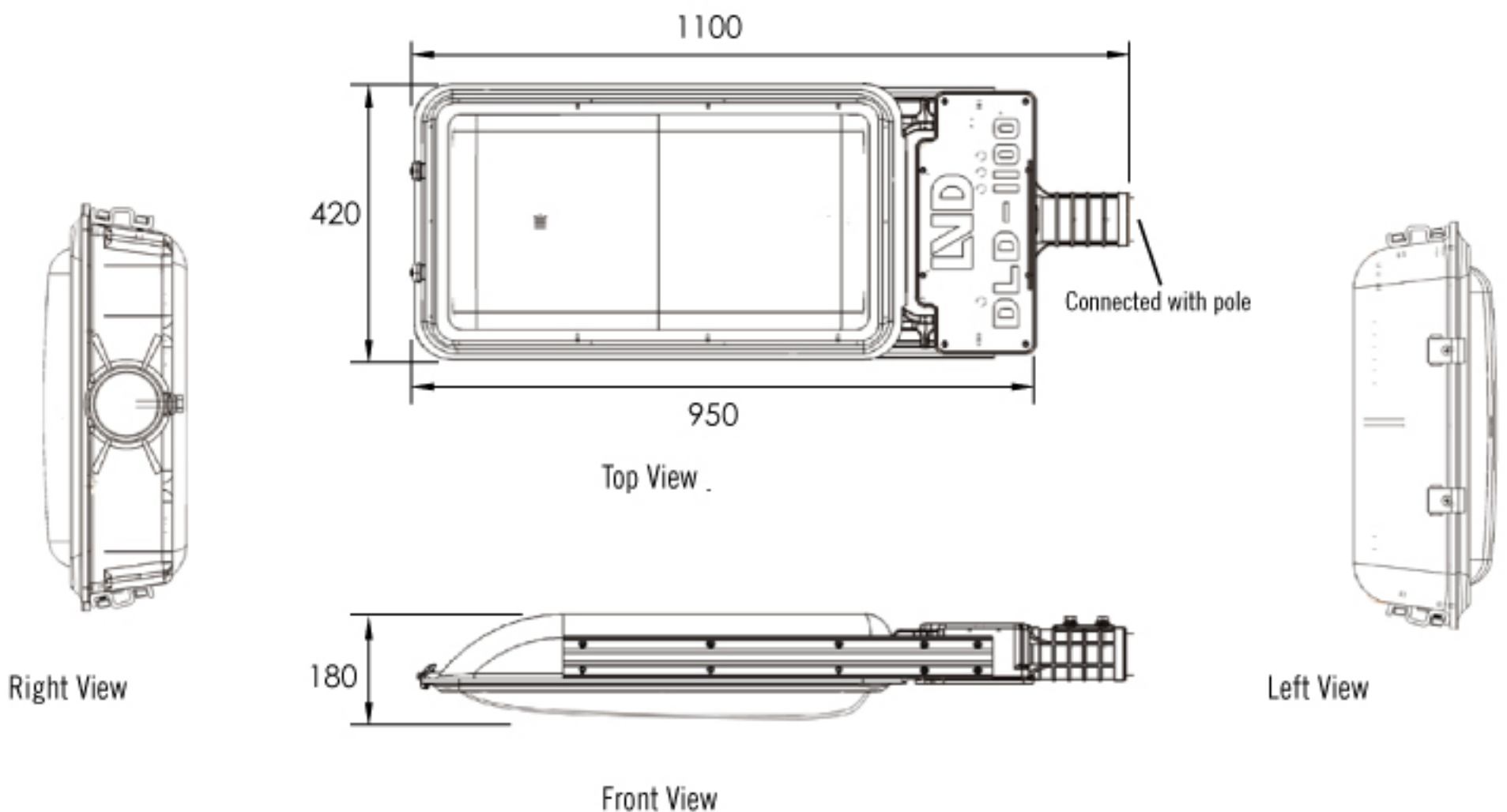


300W Smart Dragon Lamp

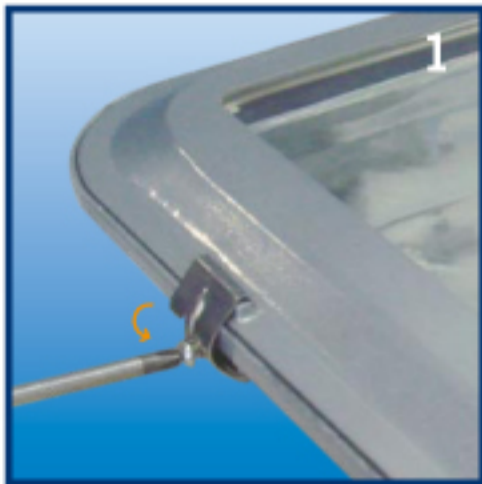


200W Smart Dragon Lamp

## Dimensions



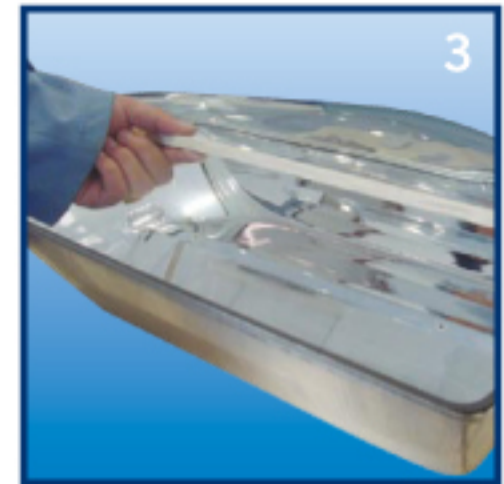
## Lamp and Fixture Installation



Demount the screw of the shell and open the clasp.



The luminaire cover can be pulled out with the fall of the little axis after turning the cover up to 90° angle.



Unscrew the glass shade and the board of the reflector, take out the reflector.



Install the LVD lamp.



Put the cover back to its original place, buckle the cover and the shell, screw the bolt.



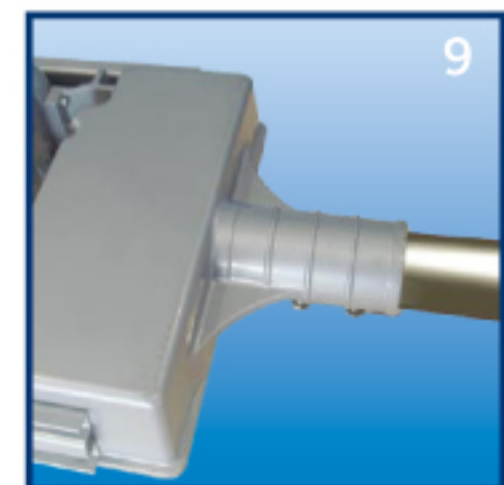
Open the plate of the gear box.



Feed the wire and insert the cantilever of lighting pole when keeping shade facing up.



Press down the cable with cable plate, fasten the bolt after finishing the connection of the wire and covering the plate.



Turn the fixture around, fasten the bolt of the Lightpost installment hole, press down the lightpole and fasten the bolt.



## Ordering Information

Choose the options below the criteria that best suit your needs and write them above the corresponding criteria.

0612B Series Code	LVD-DLD1100 Model	Wattage	Voltage
		150W	120V AC
<b>0612B-LVD-DLD1100</b>		200W	220V AC
<b>Order Number</b>		300W	277V AC

Norman Lamps, Inc.  
1775 Wallace Ave.  
Saint Charles, IL 60174

800-992-8020  
Toll Free Phone  
630-377-3559  
Illinois Area

[www.LVDInductionLamps.com](http://www.LVDInductionLamps.com)  
866-482-3916  
Toll Free Fax  
630-232-7100  
Illinois Area Fax