

Tunnel Luminaire

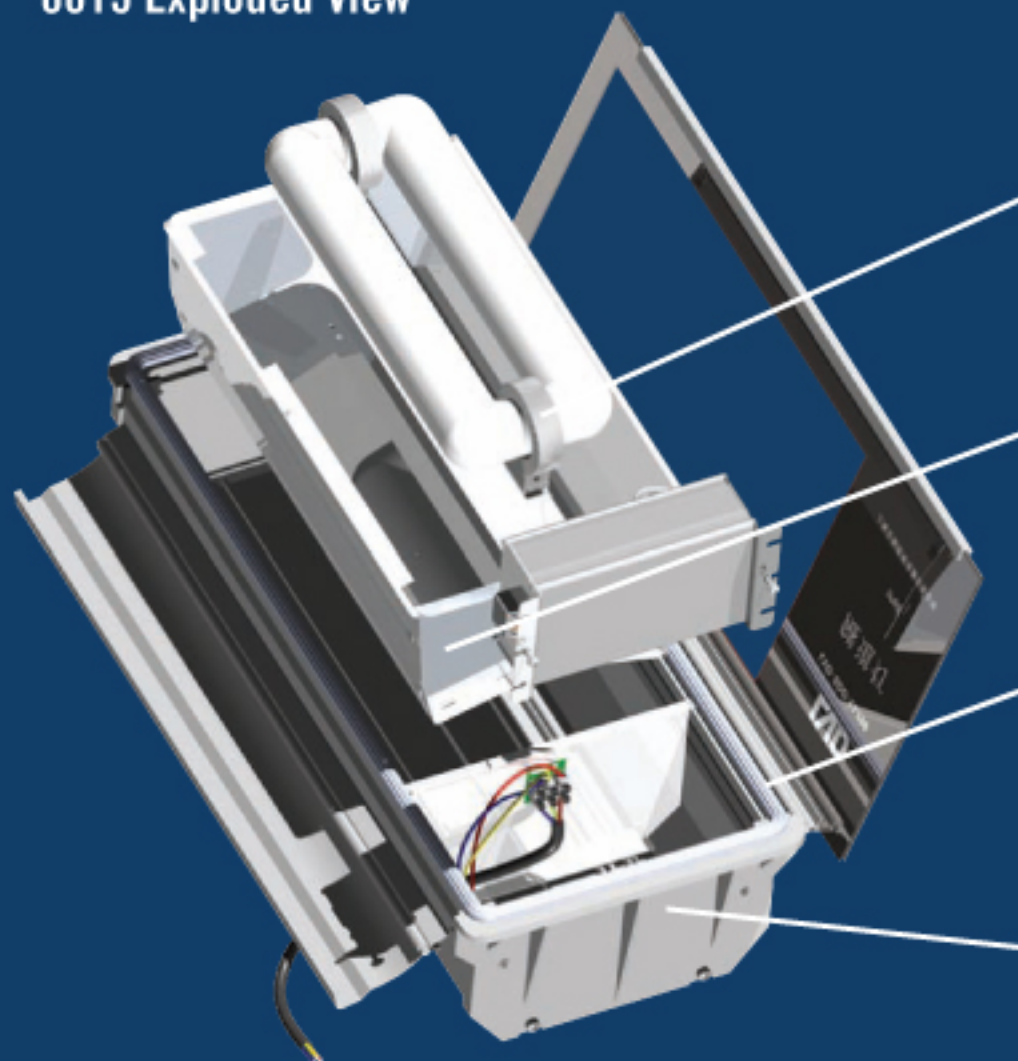
LVDInductionLamps.com

LVD[®]



LVD Smart Dragon Lamp

0615 Exploded View



Features

Can accommodate 80W~200W LVD Lamps, length may be customized for 300W lamps or dual 80W lamps can also be installed

Specially designed pure aluminum lens reflector for improved light efficiency

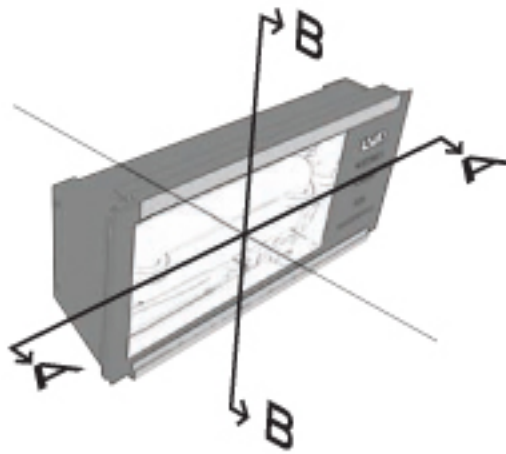
IP65 rating makes this fixture dust and water tight, suitable for use in tunnels, roadways and underground passageways

Composed of extruded die-cast powder coated aluminum, which is attractive and easy to install

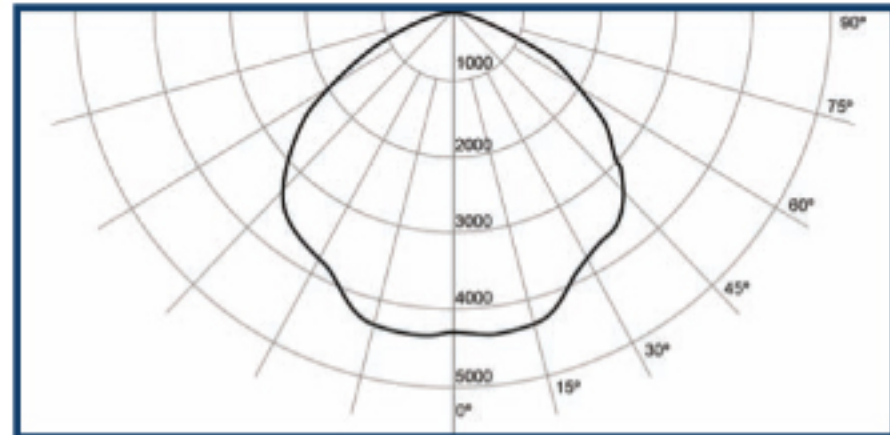
0615 Series

LVD Induction Lamps LVD

Photometrics



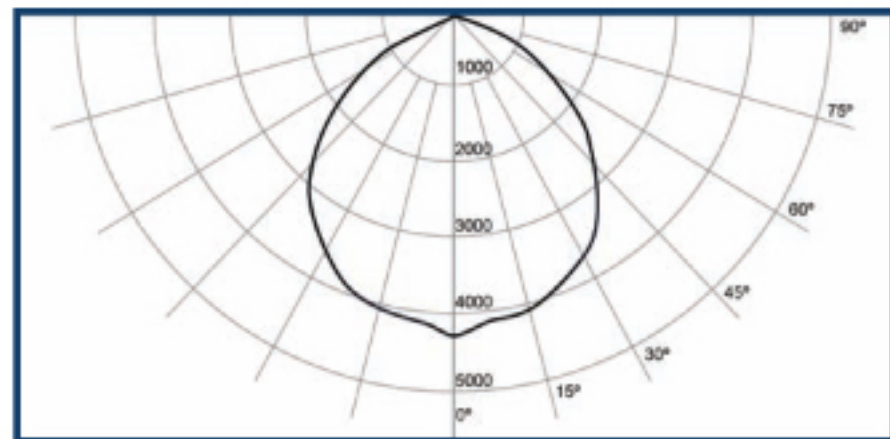
A - A Light Distribution



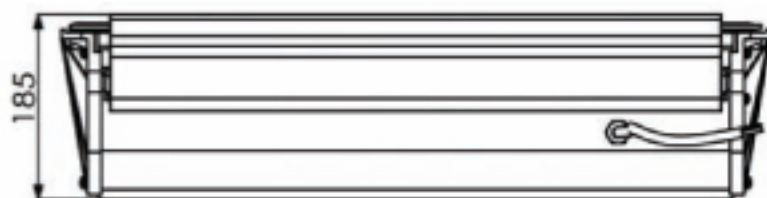
Lumen Output Data

| Zone | Lumens | %Lamp |
|----------|---------|-------|
| 0°~30° | 3329.9 | 22.2 |
| 0°~40° | 5500 | 36.7 |
| 0°~60° | 9690 | 64.6 |
| 60°~90° | 1882.6 | 12.6 |
| 0°~90° | 11572.6 | 77.2 |
| 90°~180° | 0.0 | 0.0 |
| 0°~180° | 11572.6 | 77.2 |

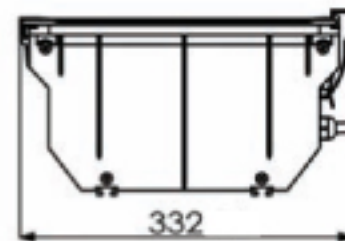
B - B Light Distribution



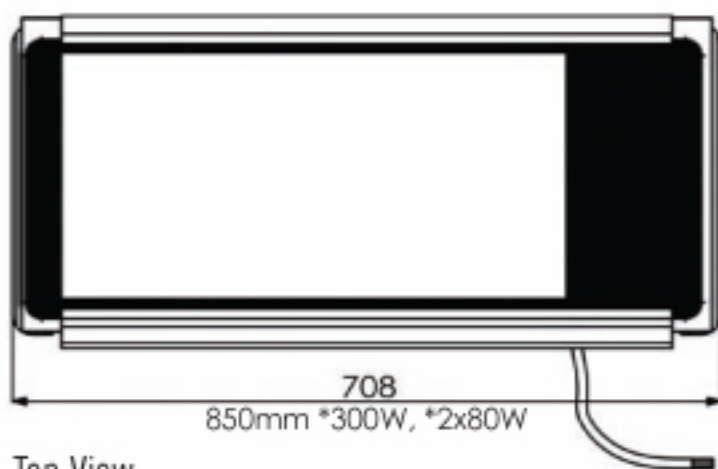
Dimensions



Side View



End View

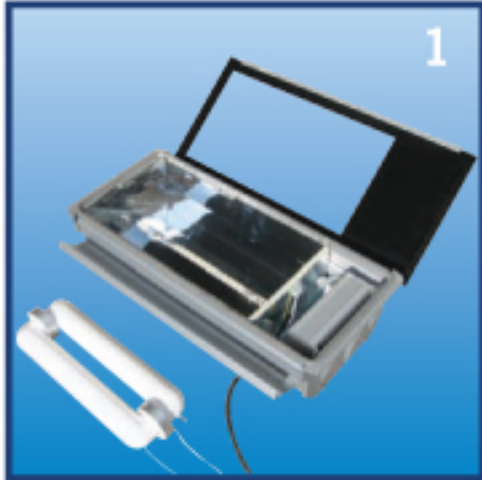


Top View

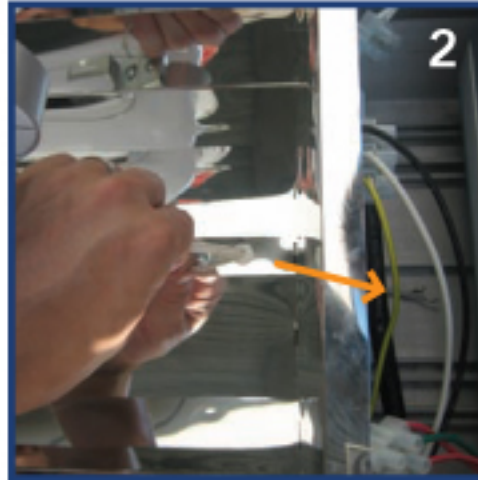
Weight

| Lamp | Gross | Net |
|------|---------|---------|
| 80W | 13.2 kg | 11.8 kg |
| 120W | 13.4 kg | 12.0 kg |
| 150W | 13.6 kg | 12.2 kg |
| 200W | 14.6 kg | 13.0 kg |

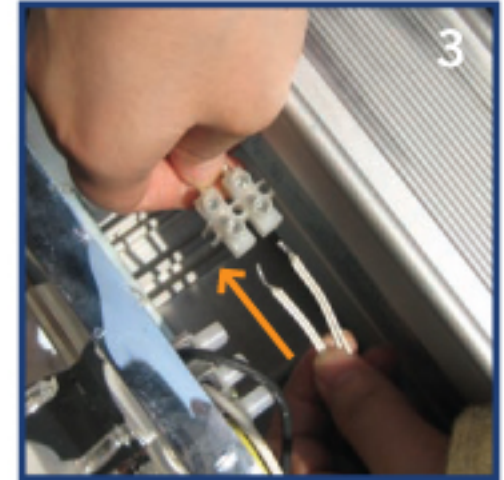
Lamp Installation



Unpack fixture and lamp



Feed lamp wires through reflector



Connect lamp wires to ballast



Tighten wires

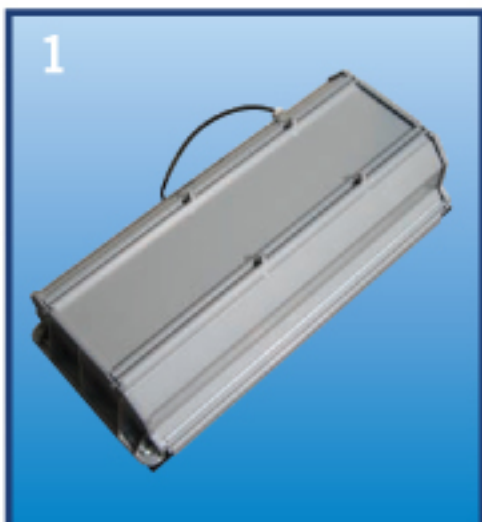


Secure lamp with screws

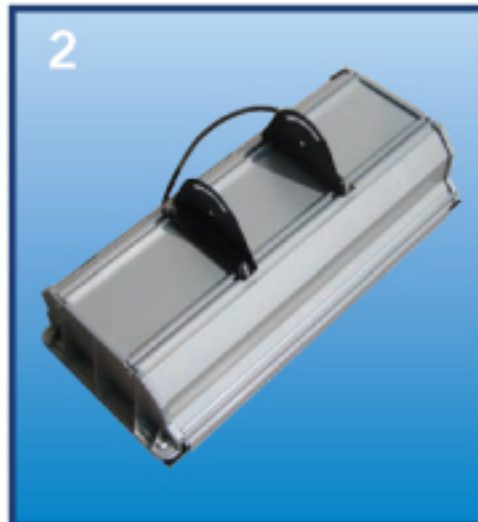


Firmly close fixture cover

Mounting Instructions



Place fixture face down



Attach mounting brackets



Screw mounting brackets to wall brackets



Ordering Information

Choose the options below the criteria that best suit your needs. *300W & 2x80W configurations requires custom length.

| 0615 Series Code | LVD-SDD-LL700 Model | Wattage | Voltage | Mounting | Length* |
|------------------------------------|------------------------|---------|---------|------------------|--------------------------------|
| 0615-LVD-SDD-LL700 Order Number | | 80W | 120V AC | Adjustable Angle | 708mm Standard 850mm Custom |
| | | 120W | 220V AC | | |
| | | 150W | 277V AC | | |
| | | 200W | 12V DC | | |
| | | 300W* | 24V DC | | |

Norman Lamps, Inc.
1775 Wallace Avenue
St. Charles, IL 60174

LVDInductionLamps.com
info@LVDInductionlamps.com

800-992-8020
Toll Free Phone
630-377-3559
Illinois Area